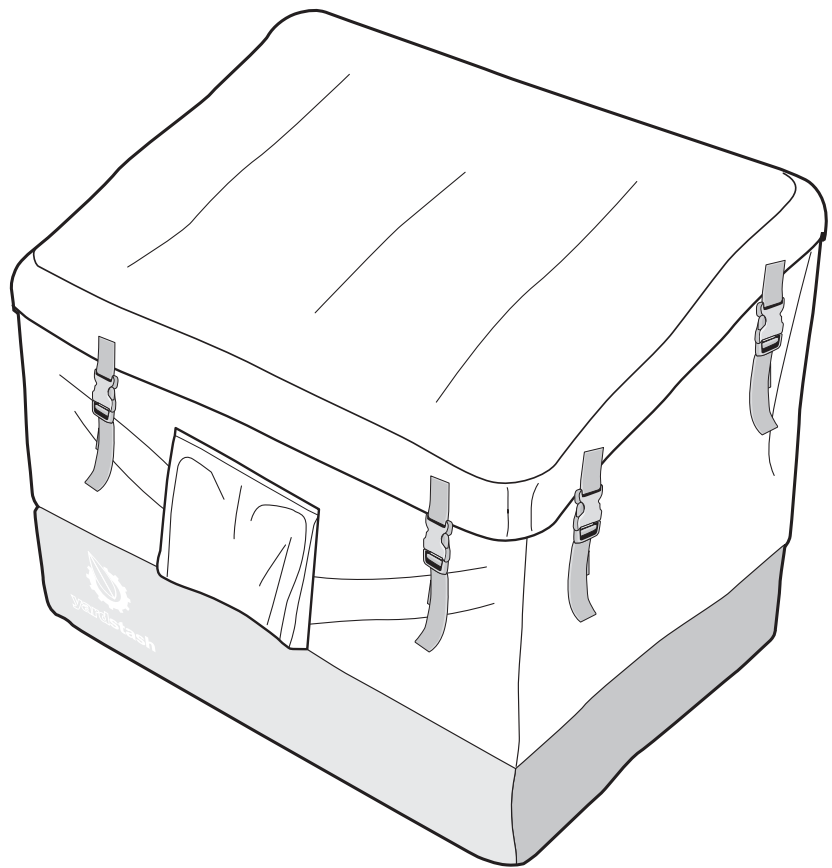




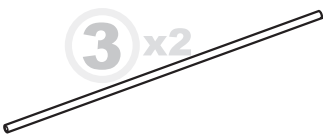

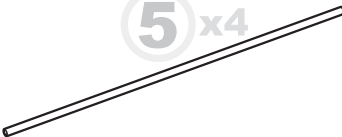
# YardStash

## Outdoor Storage Box M

Thank you for your purchase! Please feel free to contact us if you have any questions or feedback:  
(888)315-1045 or [support@yardstash.com](mailto:support@yardstash.com)

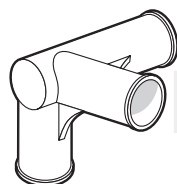


### Poles (x12)

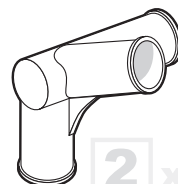
- 1 x2 
- 2 x2 
- 3 x2 
- 4 x2 
- 5 x4 

### Connectors (x8)

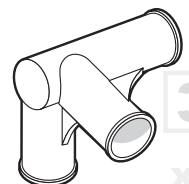
- Flat
- Up
- Down



1  
x4



2  
x2

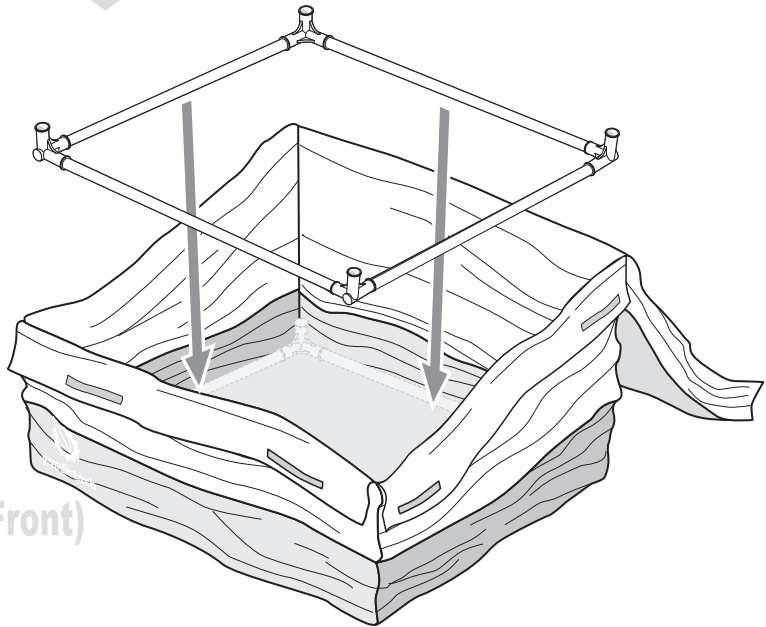
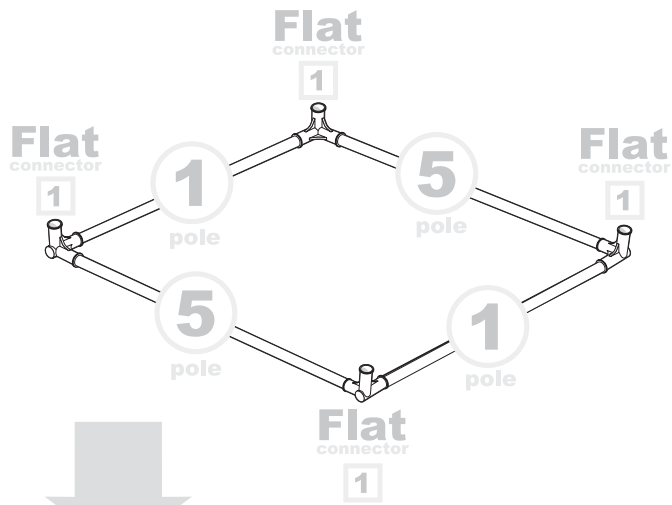


3  
x2

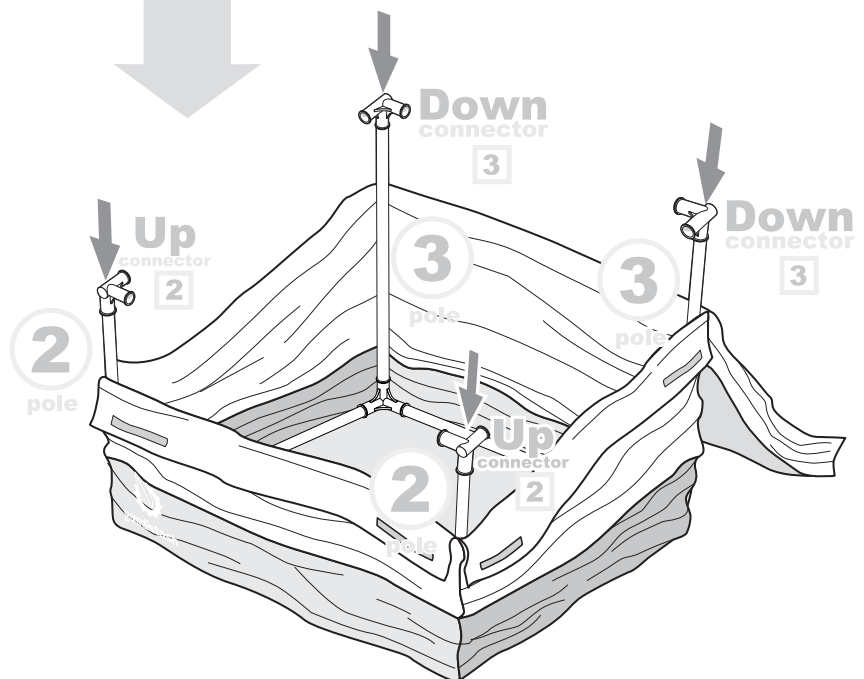


yardstash

## Assemble Base



Insert Base Fully (Logo at Front)  
Inside Material

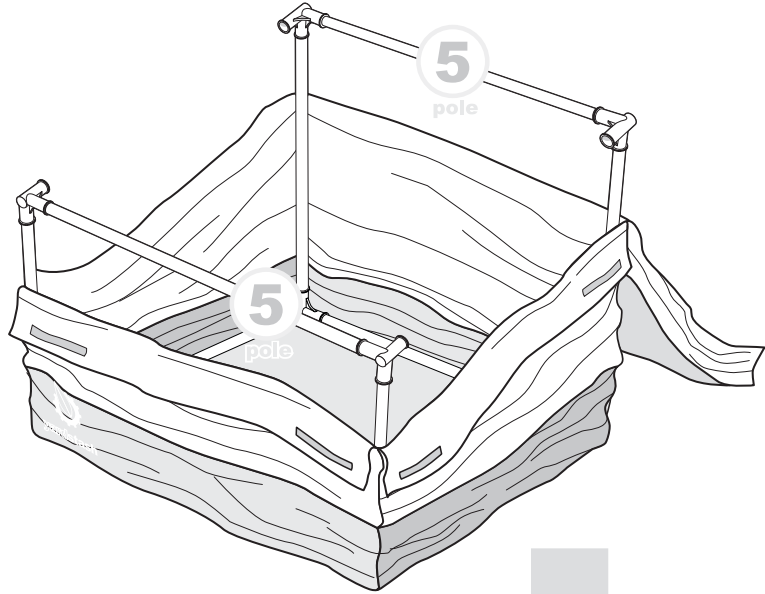


## Assemble Sides

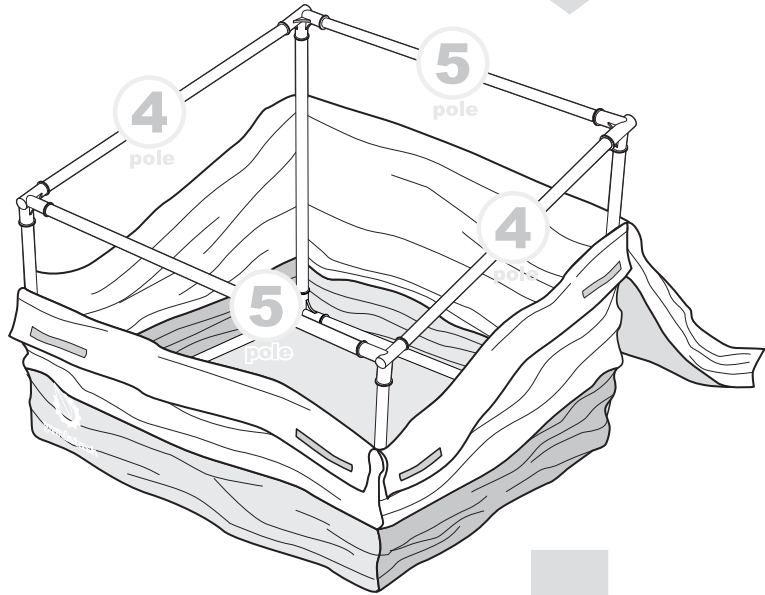


yardstash

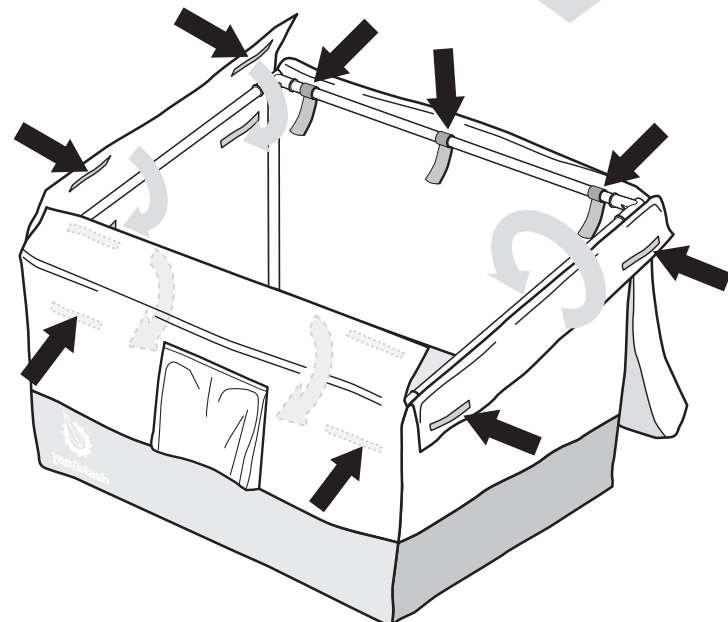
### Assemble Top Front and Back



### Assemble Top - Sides (Slide material down frame if needed to relieve tension)



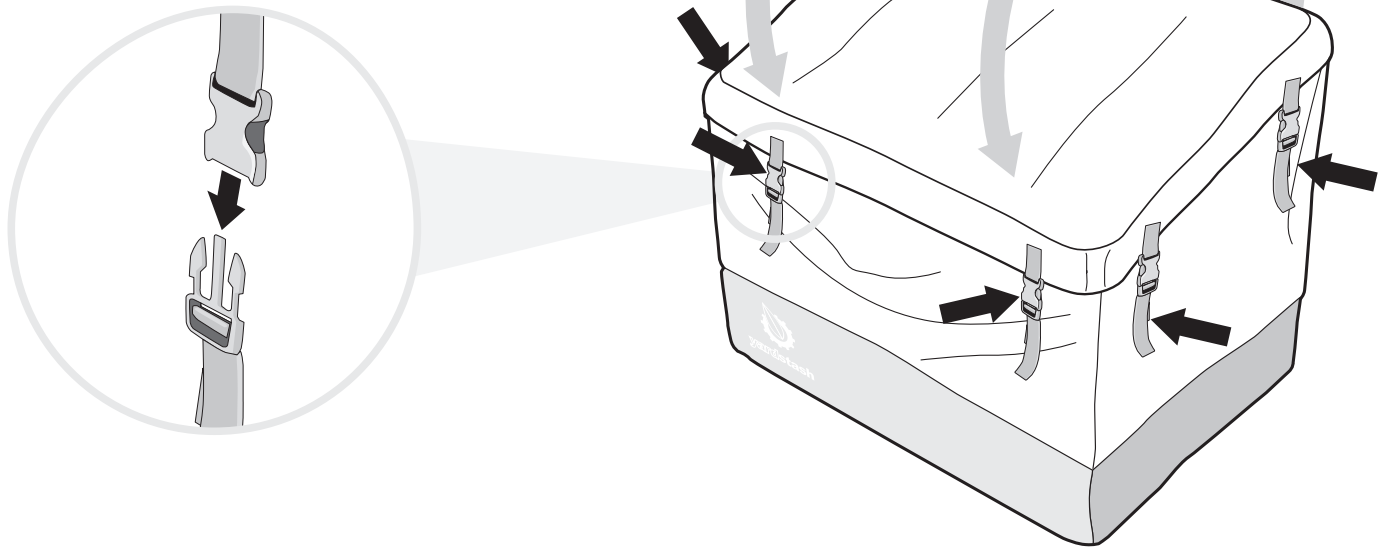
### Pull Material Up and Over Frame and Secure with Velcro





yardstash

## Clip and Tighten Lid Straps



Please feel free to contact us if you have any questions or feedback:  
**(888)315-1045 or [support@yardstash.com](mailto:support@yardstash.com)**

### **⚠ Warning ⚠**

Do not use the YardStash Storage Box M as a tent, shelter, bench or play structure for humans or animals. Do not allow children to play near the YardStash Storage Box M. YardStash Solutions LLC or any reseller cannot be held responsible for loss or damage to personal belongings or equipment as a result of theft or adverse weather conditions. YardStash Solutions LLC or any reseller cannot be held liable for any personal injury caused by the use of the product.

[www.YardStash.com](http://www.YardStash.com)